



Constructive configuration of CBP-RC models

Complete low pressure centrifugal range with forward curved impeller. The range comprises different versions and sizes of double and single inlet fans. All these low pressure centrifugal fans are designed for belt drive operation.

All the fans are manufactured from galvanised sheet steel and fitted with impeller manufactured from galvanized sheet steel.

**Additional information**

Mounting feet as accessory allowing 4 different positions (basic version).

The fan can be supplied with motor and belt drive mounted.

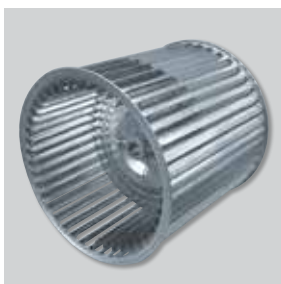
**On request**

Belt-drive fan-deck assemblies available with either a fan scroll or separate base frame mounted motor configurations.



**High robustness**

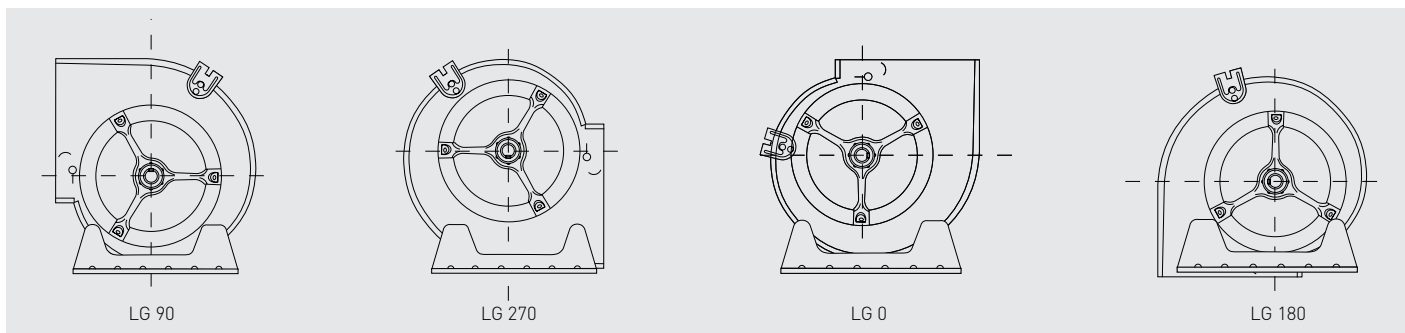
One piece die-cast ball bearing support.



**Impeller dynamically balanced**

Impeller dynamically balanced, according to ISO 1940 standard, providing vibration free operation.

**POSITIONS**



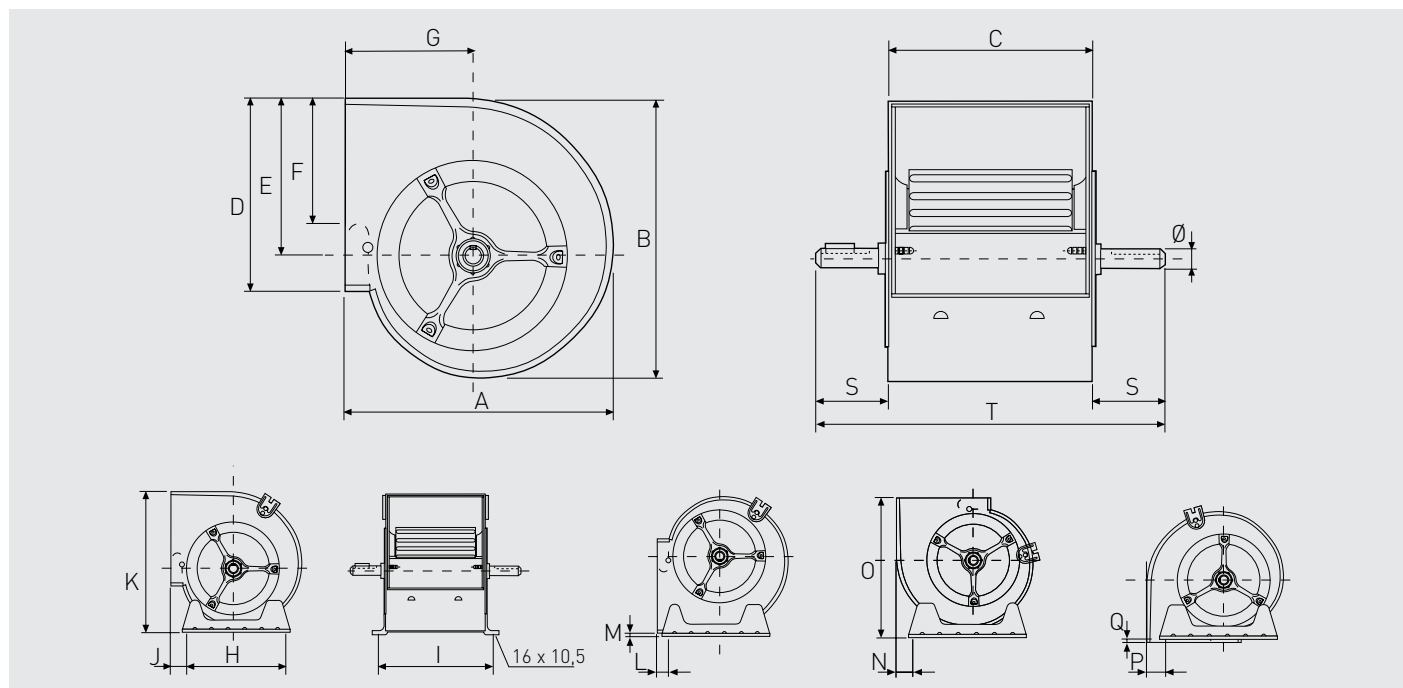
Mounting feet (accessory) allowing 4 positions of the discharge outlet.

### TECHNICAL CHARACTERISTICS

Before installation check that the product electrical characteristics listed on the data plate label (voltage, power, frequency, etc.) match those of the intended electrical supply.

Model	Equivalence (mm)	Maximum speed recommended (r.p.m.)	Maximum airflow (m <sup>3</sup> /h)	Weight (Kg)
CBP-7/7	180/180	2400	2.800	5
CBP-9/7	240/180	2500	6.000	8
CBP-9/9	240/240	2100	7.000	9
CBP-10/8	270/200	2500	6.500	10
CBP-10/10	270/270	1900	7.900	11
CBP-12/9	320/240	2000	8.000	14
CBP-12/12	320/320	1500	10.000	16
CBP-15/11	380/280	2000	12.500	20
CBP-15/15	380/380	1200	16.000	23
CBP-18/13	460/330	1200	18.500	28
CBP-18/18	460/460	950	22.000	33

### DIMENSIONS (mm)



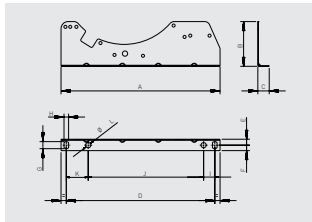
Model	A	B	C	D	E	F	G	H	I	J	K	L	M	N	O	P	Q	S	T	Ø
CBP-7/7	307	321	232	222	180	148	146	227	259	20,6	329,3	17,5	4,5	32	309,5	14,5	4,7	49	330	20
CBP-9/7	380	392	232	260	218	180	184	296	259	68,5	395,5	68,5	39	34,5	382	34,5	6	79	390	20
CBP-9/9	380	392	300	260	218	180	184	296	327	68,5	395,5	68,5	39	34,5	382	34,5	6	60	420	20
CBP-10/8	422	441	266	289	247	213	201	339	293	67	450,5	67	40	39	427	39	8	62	390	20
CBP-10/10	422	441	333	289	247	213	201	339	360	67	450,5	67	40	39	427	39	8	63,5	460	20
CBP-12/9	493	524	311	341	293	240	229	407	338	69,5	528	69,5	38,4	40,5	496,4	41,4	4,5	59,5	430	25
CBP-12/12	493	524	396	341	293	240	229	407	423	69,5	528	69,5	38,4	40,5	496,4	41,4	4,5	70	536	25
CBP-15/15	573	613	473	403	343	270	267	494	499,5	62,5	625	68,5	37	44,5	575	48,5	8	71	615	25
CBP-18/18	685	743	556	479	418	290	314	608	585	44,2	751	52,5	44	91,4	689,4	91,4	4,6	68	692	25

**MOUNTING ACCESSORIES**

Model	Motor support tightener	Mounting feet
CBP-7/7	SOPORTE MOTOR TENSOR 7/7 - 9/7	PIE SOPORTE CBP 7/7
CBP-9/7	SOPORTE MOTOR TENSOR 7/7 - 9/7	PIE SOPORTE CBP/CBM 9/9
CBP-9/9	SOPORTE MOTOR TENSOR 9/9	PIE SOPORTE CBP/CBM 9/9
CBP-10/8	SOPORTE MOTOR TENSOR 10/8	PIE SOPORTE CBP/CBM 10/10
CBP-10/10	SOPORTE MOTOR TENSOR 10/10	PIE SOPORTE CBP/CBM 10/10
CBP-12/9	SOPORTE MOTOR TENSOR 12/9	PIE SOPORTE CBP/CBM 12/12

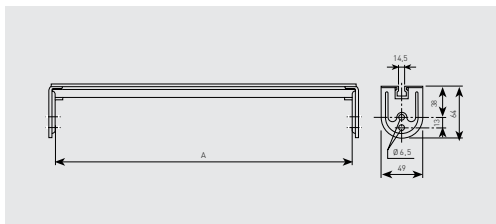
Model	Motor support tightener	Mounting feet
CBP-12/12	SOPORTE MOTOR TENSOR 12/12	PIE SOPORTE CBP/CBM 12/12
CBP-15/11	SOPORTE MOTOR TENSOR 15/11	PIE SOPORTE CBP/CBM 15/15
CBP-15/15	SOPORTE MOTOR TENSOR 15/15	PIE SOPORTE CBP/CBM 15/15
CBP-18/13	SOPORTE MOTOR TENSOR 18/13	PIE SOPORTE CBP/CBM 18/18
CBP-18/18	SOPORTE MOTOR TENSOR 18/18	PIE SOPORTE CBP/CBM 18/18

**ACCESSORIES DIMENSIONS (mm)**



Model	A	B	C	D	E	F	G	H	I	J	K	L
7/	254	47	26	227	13,5	12,5	16	10,5	15	195	15	12
9/	325	102	26	297	13,5	12,5	16	10,5	-	-	35,7	10,5
10/	363	102	26	339	13,5	12,5	16	10,5	37,5	263,5	62	12
12/	434	144	26	407	13,5	12,5	16	10,5	48	333,5	25,5	12
15/	521	164	26	494	13,5	12,5	16	10,5	-	-	53	12
18/	635	186	26	608	13,5	12,5	16	10,5	-	-	-	-

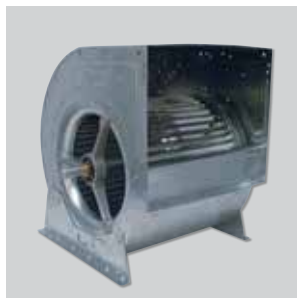
**Mounting feet**



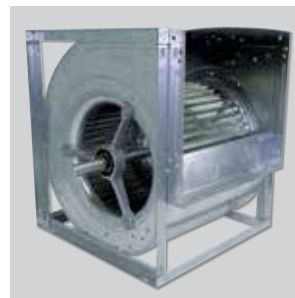
**Motor mounting bracket and support flange**

Model	A	Model	A
CBP-7/7	232	CBP-12/12	396
CBP-9/7	232	CBP-15/11	373
CBP-9/9	300	CBP-15/15	473
CBP-10/8	266	CBP-18/13	436
CBP-10/10	333	CBP-18/18	556
CBP-12/9	311	CBP-12/9	311

**RANGE OF PRODUCTS**



**CBP**  
Double inlet centrifugal fans.  
**11 Models:**  
From 7/7 to 18/18



**CBP-RC**  
Double inlet centrifugal fans.  
**11 Models:**  
From 7/7 to 18/18



**CBP-RE**  
Double inlet centrifugal fans.  
**5 Models:**  
From 18/18 to 30/28



**CBP-D**  
Double inlet duplex centrifugal fans.  
**11 Models:**  
From 7/7 to 18/18



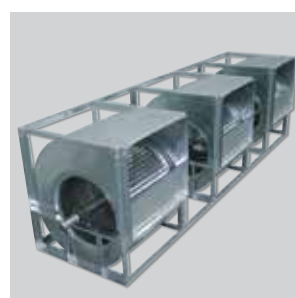
**CBP-DC**  
Double inlet duplex centrifugal fans.  
**11 Models:**  
From 7/7 to 18/18



**CBP-DE**  
Double inlet duplex centrifugal fans.  
**14 Models:**  
From 9/7 to 30/28



**CBP-TC**  
Double inlet triplex centrifugal fans.  
**10 Models:**  
From 7/7 to 18/18



**CBP-TE**  
Double inlet triplex centrifugal fans.  
**14 Models:**  
From 9/7 to 30/28



**CBS**  
Single inlet centrifugal fans.  
**9 Models:**  
From 9/4 to 30/14