

Range of direct-driven rectangular in-line fans designed for smoke extraction in fire conditions and certified F400-120 (CE marked). All models are suitable for air stream temperature up to 80°C. The casings are manufactured from high grade robust galvanised sheet steel. Due to the flexible design and configuration the ILHT units can be installed in any position both horizontal or vertical. All fans incorporate a centrifugal backward curved impeller manufactured from galvanized sheet steel. Available, depending upon the model, with three phase motors in 4, 6, 8, 4/6, 4/8, 6/8 or 6/12 poles.

Motors

All the motors are IP55, Class F insulation. Electrical supply:

Three phase 230/ 400V-50Hz, 1-speed motors.

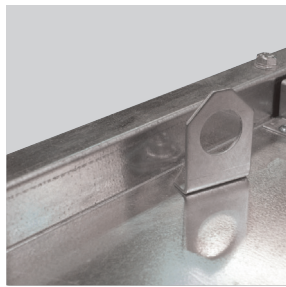
Three phase 400V-50Hz, 2-speed motors. [See characteristics chart].

Speed controllable by inverter.

On request

Single phase motors. Speed controllable motor by voltage (ILHB/4-035, ILHB/6-035, ILHB/6-050 and ILHB/6-060).

Double thickness (double skin) panels internally lined with sound and thermal fibre glass insulation (25 mm).

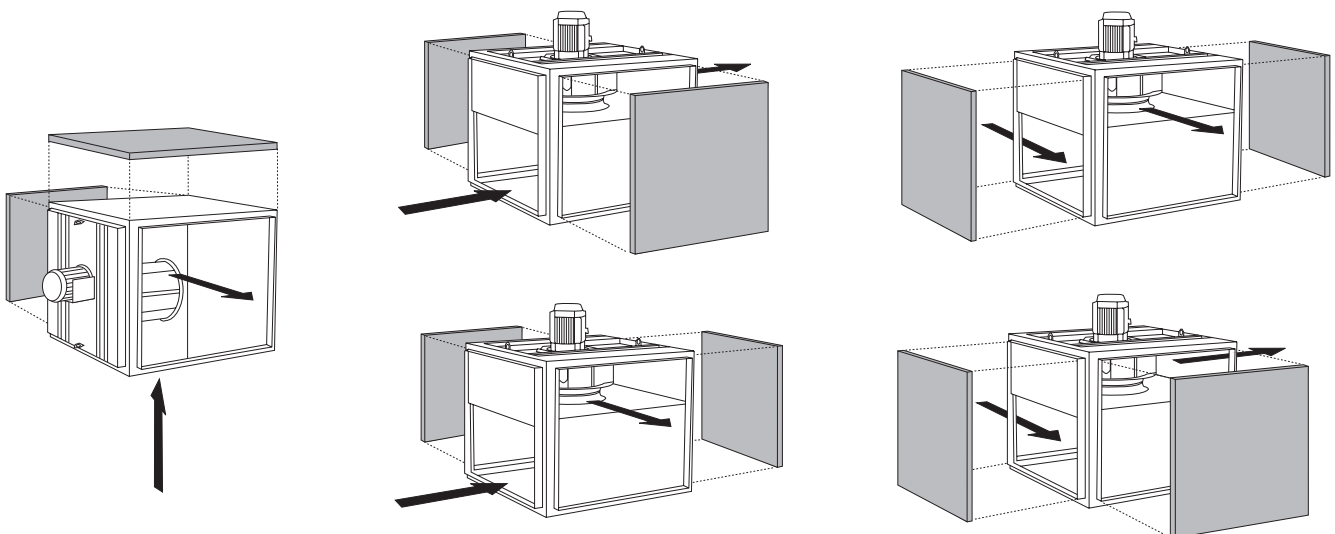


Easy to install
Fixings fitted to ease the installation.

Specific applications



Versatile design



Interchangeable side panels, to produce the different possibilities of air extraction and supply.

TECHNICAL CHARACTERISTICS

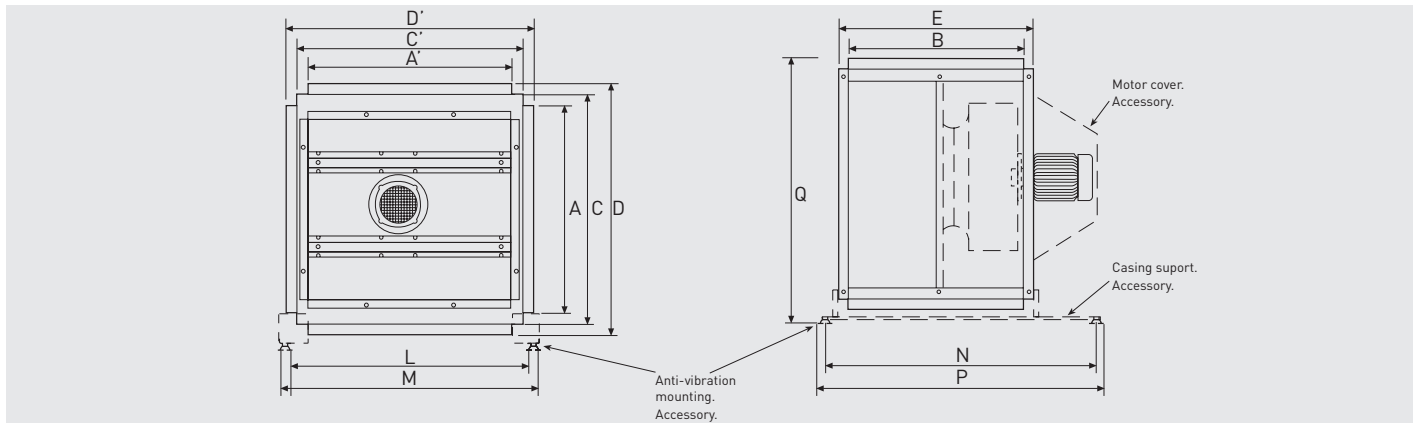
Before installation check that the product electrical characteristics listed on the data plate label (voltage, power, frequency, etc.) match those of the intended electrical supply.

Model	High speed			Low speed			Maximum airflow (m ³ /h)	Sound pressure level* (dB(A))
	Speed (rpm)	Motor power (kW)	Maximum absorbed current at 400V (A)	Speed (rpm)	Motor power (kW)	Maximum absorbed current at 400V (A)		
4 POLES - 1 SPEED								
ILHT/4-035	1415	0,55	1,4	-	-	-	3.500	56
ILHT/4-050	1415	0,75	1,7	-	-	-	5.000	58
ILHT/4-060	1420	1,5	3,2	-	-	-	7.000	64
ILHT/4-065	1430	2,2	4,6	-	-	-	10.000	67
6 POLES - 1 SPEED								
ILHT/6-035	940	0,25	1	-	-	-	2.333	46
ILHT/6-050	940	0,25	1	-	-	-	3.333	48
ILHT/6-060	940	0,37	1,2	-	-	-	4.667	54
ILHT/6-065	930	0,75	2	-	-	-	6.667	57
ILHT/6-085	950	1,1	2,8	-	-	-	8.400	55
ILHT/6-110	940	2,2	5,3	-	-	-	12.500	58
ILHT/6-140	960	3	7,3	-	-	-	15.000	60
ILHT/6-190	955	5,5	12,8	-	-	-	19.000	59
8 POLES - 1 SPEED								
ILHT/8-065	700	0,37	1,4	-	-	-	5.000	50
ILHT/8-085	700	0,55	1,9	-	-	-	6.300	48
ILHT/8-110	700	1,1	3,4	-	-	-	9.375	51
ILHT/8-140	695	1,5	4,1	-	-	-	11.250	53
ILHT/8-190	720	3	7,2	-	-	-	14.250	52
4/6 POLES - 2 SPEED								
ILHT/4/6-050	1415	0,75/0,25	2/1,3	940	0,25	1,3	5.000	58
ILHT/4/6-060	1420	1,5/0,37	3,7/1,6	940	0,37	1,7	7.000	64
ILHT/4/6-065	1445	3/1	6,9/3,9	975	1	4,1	10.000	67
4/8 POLES - 2 SPEED								
ILHT/4/8-035	1360	0,6/0,15	1,8/0,8	690	0,15	0,9	3.500	56
ILHT/4/8-050	1380	0,8/0,2	2/0,9	690	0,2	1	5.000	58
ILHT/4/8-060	1390	1,6/0,4	3,8/1,7	700	0,4	1,8	7.000	64
ILHT/4/8-065	1415	2,8/0,7	6/2,4	715	0,7	2,4	10.000	67
6/8 POLES - 2 SPEED								
ILHT/6/8-035	940	0,55/0,14	2,1/1,2	700	0,14	1,2	2.333	46
ILHT/6/8-050	940	0,55/0,14	2,1/1,2	700	0,14	1,2	3.333	48
ILHT/6/8-060	930	0,55/0,14	2,1/1,2	690	0,14	1,2	4.667	54
ILHT/6/8-065	950	1,1/0,55	3,6/2,5	720	0,55	2,5	6.667	57
ILHT/6/8-085	965	1,1/0,55	3,6/2,5	720	0,55	2,5	8.400	55
ILHT/6/8-110	985	3/0,75	3/3,8	725	0,75	3,8	12.500	58
ILHT/6/8-140	960	4/1,1	11,3/4,8	695	1,1	4,8	15.000	60
6/12 POLES - 2 SPEED								
ILHT/6/12-110	950	4/1	12,6/5,1	470	1	5,1	12.500	58
ILHT/6/12-140	950	4/1	12,6/5,1	470	1	5,1	15.000	60

* Measured in free field, at 6 m from the inlet side.

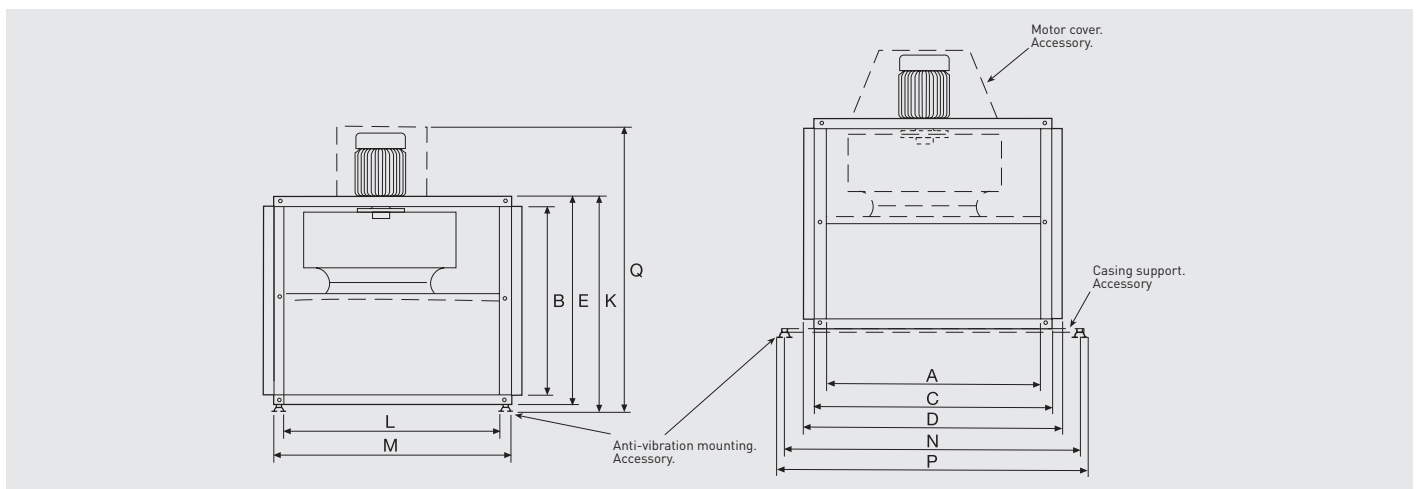
DIMENSIONS (mm)

Mounting with the motor in horizontal position.



Model	A	B	C	D	E	L	M	N	P	Q	Weight (kg)
035	700	600	780	850	675	727	927	1038	1122	928	70
050	700	600	780	850	675	727	927	1038	1122	928	90
060	800	700	880	950	775	827	1027	1182	1266	1028	110
065	800	700	880	950	775	827	1027	1182	1266	1028	135
085	900	800	1015	1085	875	962	1162	1330	1414	1175	145
110	900	800	1015	1085	875	962	1162	1330	1414	1175	160
140	1000	900	1115	1185	975	1062	1262	1430	1514	1275	175
190	1100	1000	1215	1315	1075	1162	1362	1530	1614	1375	210

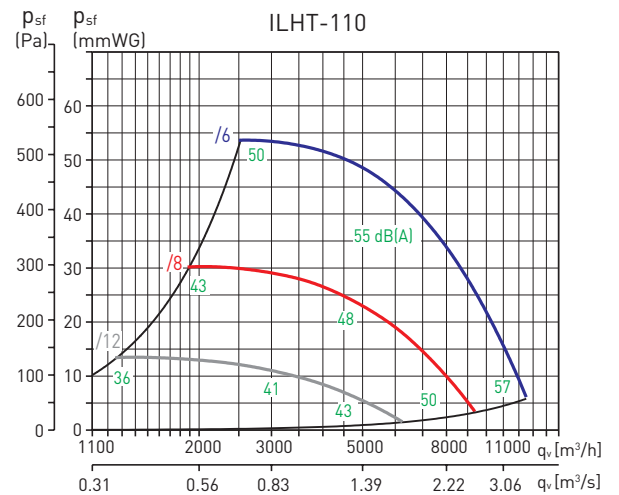
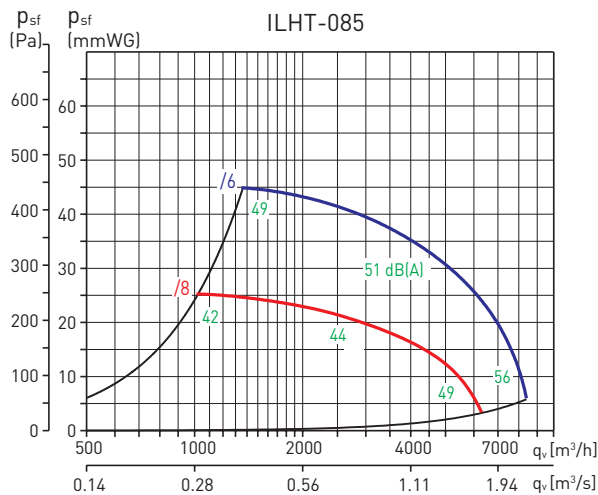
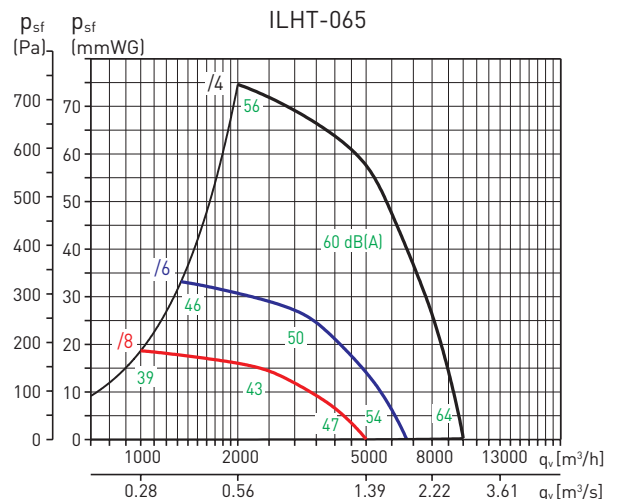
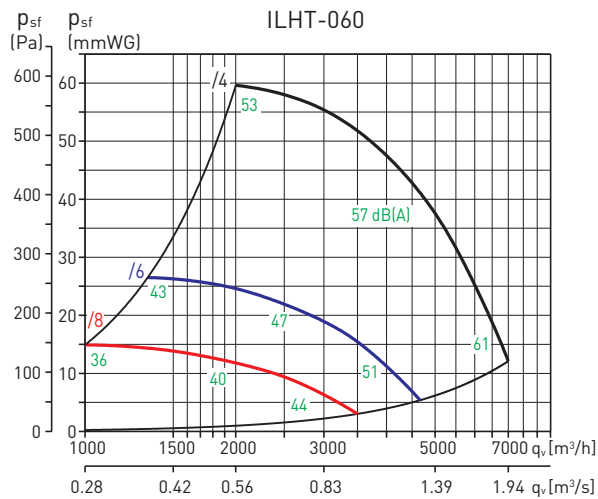
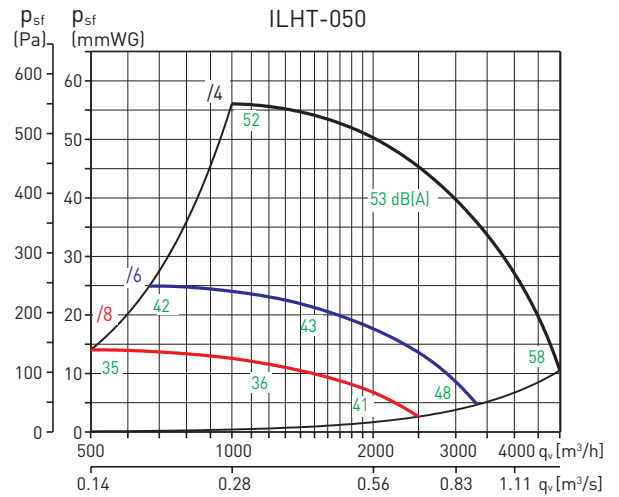
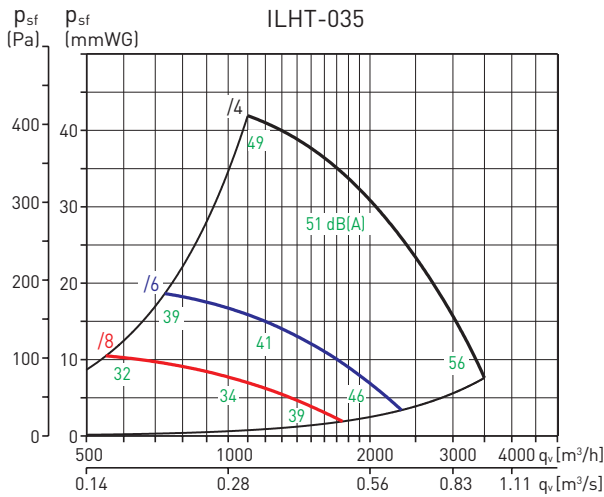
Mounting with the motor in vertical position.



Model	A	B	C	D	E	K	L	M	N	P	Q	Weight (kg)
035	700	600	780	850	675	722	587	787	1038	1122	1005	70
050	700	600	780	850	675	722	587	787	1038	1122	1005	90
060	800	700	880	950	775	822	687	887	1182	1266	1155	110
065	800	700	880	950	775	822	687	887	1182	1266	1155	135
085	900	800	1015	1085	875	934	822	1022	1330	1414	1345	145
110	900	800	1015	1085	875	934	822	1022	1330	1414	1345	160
140	1000	900	1115	1185	975	1034	922	1122	1430	1514	1445	175
190	1100	1000	1215	1315	1075	1134	1022	1222	1530	1614	1545	210

PERFORMANCE CURVES

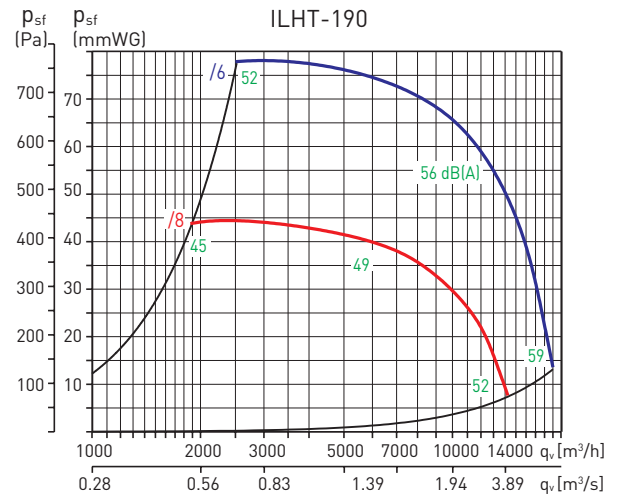
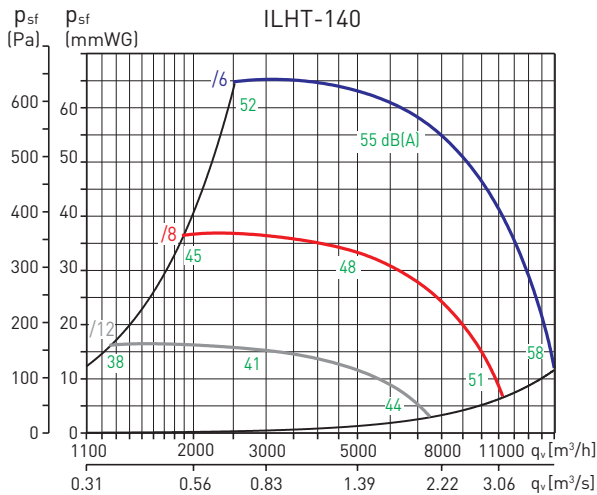
- q_v : Airflow in m^3/h and m^3/s .
- p_{sf} : Static pressure in mmWG and Pa.
- Dry air at 20°C and 760 mmHg.
- Performance data in accordance with ISO 5801 and AMCA 210-99 Standards.



Pressure sound level measured at 6 m distance with ducted inlet and free outlet.

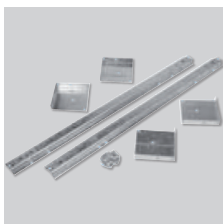
PERFORMANCE CURVES

- q_v : Airflow in m^3/h and m^3/s .
- p_{sf} : Static pressure in mmWG and Pa.
- Dry air at 20°C and 760 mmHg.
- Performance data in accordance with ISO 5801 and AMCA 210-99 Standards.



Pressure sound level measured at 6 m distance with ducted inlet and free outlet.

MOUNTING ACCESSORIES



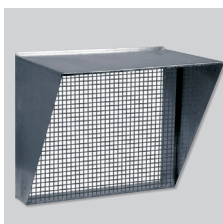
ILHT-SOPORTE
Mounting support.

Model	Mounting support
035	ILHT-SOPORTE - 035
050	ILHT-SOPORTE - 035
060	ILHT-SOPORTE - 060
065	ILHT-SOPORTE - 060
085	ILHT-SOPORTE - 085
110	ILHT-SOPORTE - 085
140	ILHT-SOPORTE - 140
190	ILHT-SOPORTE - 190

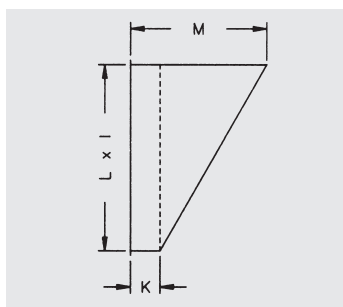


ILHT-BRIDA
Rectangular duct connection flange.

Model	Rectangular duct connection flange
035	ILHT-BRIDA - 035
050	ILHT-BRIDA - 035
060	ILHT-BRIDA - 060
065	ILHT-BRIDA - 060
085	ILHT-BRIDA - 085
110	ILHT-BRIDA - 085
140	ILHT-BRIDA - 140
190	ILHT-BRIDA - 190

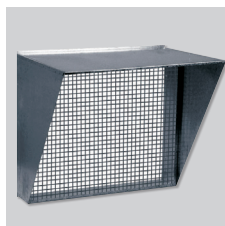


ILHT-VISERA-V
Vertical mounted, discharge protection guard.

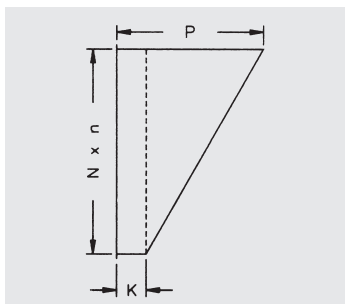


Model	Vertical protection guard	K	L	I	M
035	ILHT-VISERA-V- 035	140	605	705	490
050	ILHT-VISERA-V- 035	140	605	705	490
060	ILHT-VISERA-V- 060	140	705	805	550
065	ILHT-VISERA-V- 060	140	705	805	550
085	ILHT-VISERA-V- 085	140	806	906	605
110	ILHT-VISERA-V- 085	140	806	906	605
140	ILHT-VISERA-V- 140	140	906	1006	665
190	ILHT-VISERA-V- 190	140	1006	1106	725

MOUNTING ACCESSORIES



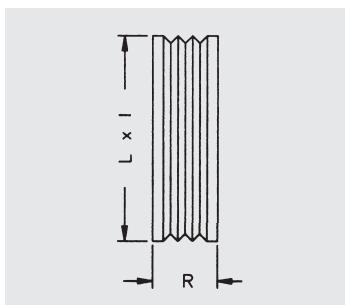
ILHT-VISERA-H
Horizontal mounted,
discharge protection
guard.



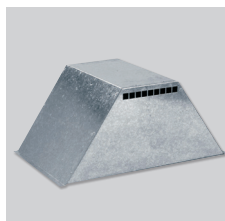
Model	Horizontal protection guard	K	N	n	P
035	ILHT-VISERA-H- 035	140	705	605	550
050	ILHT-VISERA-H- 035	140	705	605	550
060	ILHT-VISERA-H- 060	140	805	705	605
065	ILHT-VISERA-H- 060	140	805	705	605
085	ILHT-VISERA-H- 085	140	906	806	665
110	ILHT-VISERA-H- 085	140	906	806	665
140	ILHT-VISERA-H- 140	140	1006	906	725
190	ILHT-VISERA-H- 190	140	1106	1006	780



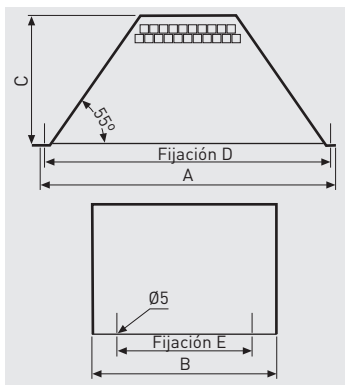
ILHT-ACOP-RECT
Flexible rectangular
flanged duct
connector.



Model	Rectangular flexible connector	L	I	R
035	ILHT-ACOP-RECT- 700X600	605	705	160
050	ILHT-ACOP-RECT- 700X600	605	705	160
060	ILHT-ACOP-RECT- 800X700	705	805	160
065	ILHT-ACOP-RECT- 800X700	705	805	160
085	ILHT-ACOP-RECT- 900X800	806	906	160
110	ILHT-ACOP-RECT- 900X800	806	906	160
140	ILHT-ACOP-RECT- 1000X900	906	1006	160
190	ILHT-ACOP-RECT- 1100X1000	1006	1106	160



ILHT-TAPA-MOTOR-V
Motor cover.



ILHT-TAPA MOTOR	A	B	C	D	E
ILHT-TAPA MOTOR 035/050	640	400	282	620	292
ILHT-TAPA MOTOR 060/065	761	400	326	741	301
ILHT-TAPA MOTOR 085/110	880	500	411	860	386
ILHT-TAPA MOTOR 140/190	1027	500	411	1007	386



ISA-ILHT
Anti-vibrations support.
(Set of 4 rubber
supports)

ELECTRICAL ACCESSORIES



DPS 2-30
DPS 10-100
Differential pressure
switch.



INTZ
Electrical isolation
switch (can be
provided fitted on
the fan and wired).