



Axial Jet fans to induce air movement in enclosed car parking, tunnels and large spaces. Suitable for ventilation only.

TJFT series: reversible.

TJFU series: unidirection.

#### Description

Diameters from:

TJFT series: 315 to 630mm, fully reversible.

TJFU series: 315 to 400mm, unidirection.

Impeller is cast aluminum alloy in accordance with EN 1706, and balanced in accordance with ISO 14694: G 6.3.

Fan duct and 2 mounting feet are steel in accordance with EN 10130-99, and hot dip galvanized in accordance with EN 1461: 1999.

Fan external electrical terminal box.

Two circular sound attenuators in galvanized sheet steel, with flared inlet and acoustic media.

Supplied with inlet and outlet steel guard.

Impeller with 6 (TJFT) or 7 (TJFU) blades.

#### Motors

TJFT series: IEC from 80 to 160, 3 phase /400v / 50Hz, IP55, Class F.

TJFU series: IEC from 80 to 90, 3 phase /400v /50Hz, IP55, Class F.

Two speed 2/4 pole Dalhander winding.

Ambient temperature: -20°C to +40°C.

#### On request

Single speed 2 pole motor.

Inlet guard and steel discharge deflector for unidirection airflow.

Inlet and outlet steel deflector for reversible airflow.

Factory fitted IP65 isolator in place of electrical terminal box. Isolator also available as an accessory for use with standard terminal box fan.

External painting to RAL colour.

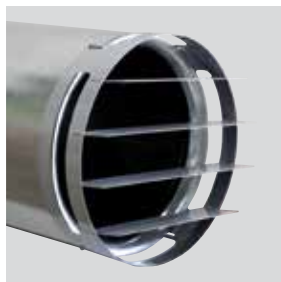
#### Specific applications



Tunnels



Two protection guards fitted as standard.



Optional deflector on outlet for uni direction, or inlet and outlet for reversible.



External terminal box for ease of connection.



Optional isolator Electrical isolator fitted to fan for security or as an accessory.

### REFERENCE

|          |          |          |          |   |          |   |          |          |          |            |               |              |              |
|----------|----------|----------|----------|---|----------|---|----------|----------|----------|------------|---------------|--------------|--------------|
| <b>T</b> | <b>J</b> | <b>F</b> | <b>T</b> | / | <b>2</b> | - | <b>4</b> | <b>0</b> | <b>0</b> | <b>C/I</b> | <b>1,5 kW</b> | <b>400 V</b> | <b>50 Hz</b> |
| 1        |          |          |          |   | 2        |   | 3        |          |          | 4          | 5             | 6            | 7            |

- 1 - Series: TJFT reversible, TJFU unidirection, for ventilation only.
- 2 - Motor speed (poles).
- 3 - Nominal diameter.
- 4 - C = terminal box (standard). I = isolator (optional).
- 5 - Motor power in kW.
- 6 - Nominal electrical supply.
- 7 - Frequency (Hz).

### TECHNICAL CHARACTERISTICS

Before installation check that the product electrical characteristics listed on the data plate label (voltage, power, frequency, etc.) match those of the intended electrical supply.

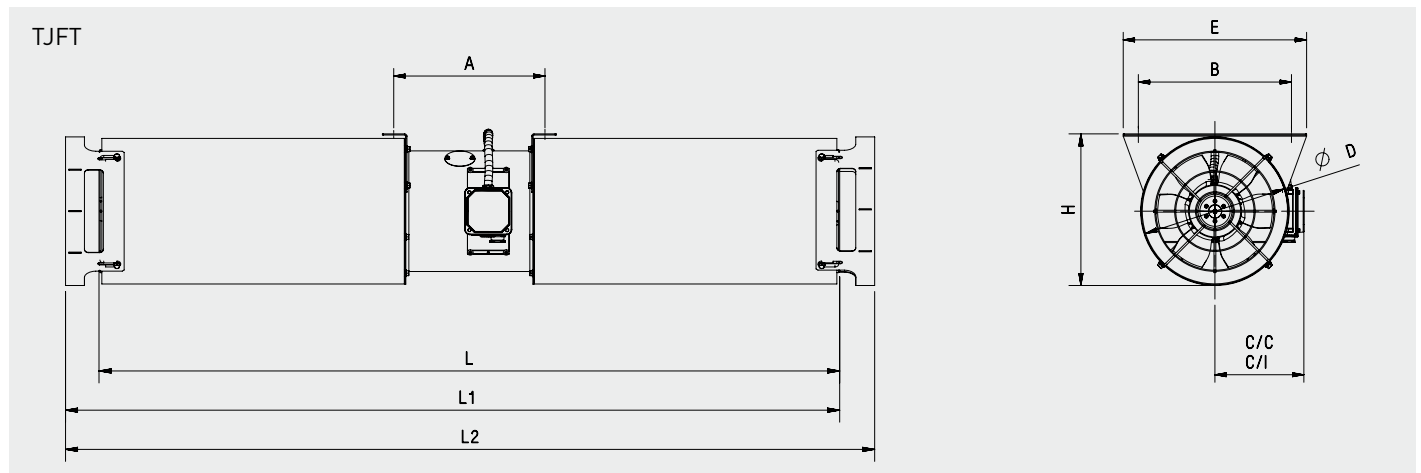
| Model                                         | Speed (rpm) | Thrust (N) | Airflow (m³/h) | Air velocity (m/s) | Motor power* (kW) | Maximum absorbed current (A) | Sound pressure level** (LpA) |           | Weight (kg) |
|-----------------------------------------------|-------------|------------|----------------|--------------------|-------------------|------------------------------|------------------------------|-----------|-------------|
|                                               |             |            |                |                    |                   |                              | Form A***                    | Form B*** |             |
| <b>TJFT REVERSIBLE - 1 speed 2 POLE</b>       |             |            |                |                    |                   |                              |                              |           |             |
| TJFT/2-315-C                                  | 2790        | 24         | 4.500          | 16                 | 0,75              | 1,6                          | 71                           | 64        | 61          |
| TJFT/2-355-C                                  | 2810        | 40         | 6.500          | 18                 | 1,1               | 2,3                          | 74                           | 67        | 80          |
| TJFT/2-400-C                                  | 2870        | 60         | 9.000          | 20                 | 1,5               | 3                            | 79                           | 71        | 93          |
| TJFT/2-450-C                                  | 2840        | 85         | 12.100         | 21                 | 2,2               | 4,5                          | 82                           | 74        | 133         |
| TJFT/2-500-C                                  | 2890        | 144        | 17.500         | 25                 | 4                 | 7,5                          | 85                           | 78        | 165         |
| TJFT/2-560-C                                  | 2925        | 235        | 25.000         | 28                 | 7,5               | 13,6                         | 88                           | 81        | 220         |
| TJFT/2-630-C                                  | 2945        | 387        | 36.100         | 33                 | 15                | 27                           | 90                           | 83        | 290         |
| <b>TJFT REVERSIBLE - 2 speed 2/4 POLE</b>     |             |            |                |                    |                   |                              |                              |           |             |
| TJFT/2/4-315-C                                | 2820/1400   | 24         | 4.500          | 16                 | 0,8/0,2           | 1,9/0,6                      | 71/56                        | 64/49     | 61          |
| TJFT/2/4-355-C                                | 2810/1390   | 40         | 6.500          | 18                 | 1,1/0,25          | 2,4/0,75                     | 74/59                        | 67/52     | 80          |
| TJFT/2/4-400-C                                | 2900/1435   | 60         | 9.000          | 20                 | 1,5/0,37          | 3,5/1,3                      | 79/64                        | 71/56     | 94          |
| TJFT/2/4-450-C                                | 2845/1420   | 85         | 12.100         | 21                 | 2,2/0,5           | 4,6/1,5                      | 82/67                        | 74/59     | 134         |
| TJFT/2/4-500-C                                | 2890/1440   | 144        | 17.500         | 25                 | 4,4/1,1           | 8,6/2,8                      | 85/70                        | 78/63     | 166         |
| TJFT/2/4-560-C                                | 2930/1470   | 235        | 25.000         | 28                 | 8/2               | 15,3/4,8                     | 88/73                        | 81/66     | 223         |
| TJFT/2/4-630-C                                | 2950/1470   | 387        | 36.100         | 33                 | 16/4              | 30,5/9,6                     | 90/75                        | 83/68     | 311         |
| <b>TJFU UNIDIRECTIONAL - 1 speed 2 POLE</b>   |             |            |                |                    |                   |                              |                              |           |             |
| TJFU/2-315-C                                  | 2790        | 25         | 4.600          | 16                 | 0,75              | 1,6                          | -                            | 62        | 56          |
| TJFU/2-355-C                                  | 2810        | 43         | 6.800          | 19                 | 1,1               | 2,3                          | -                            | 66        | 75          |
| TJFU/2-400-C                                  | 2870        | 68         | 9.700          | 21                 | 1,5               | 3                            | -                            | 70        | 88          |
| <b>TJFU UNIDIRECTIONAL - 2 speed 2/4 POLE</b> |             |            |                |                    |                   |                              |                              |           |             |
| TJFU/2/4-315-C                                | 2820/1400   | 25         | 4.600          | 16                 | 0,8/0,2           | 1,9/0,6                      | -                            | 62/46     | 56          |
| TJFU/2/4-355-C                                | 2810/1390   | 43         | 6.800          | 19                 | 1,1/0,25          | 2,4/0,75                     | -                            | 66/49     | 75          |
| TJFU/2/4-400-C                                | 2900/1435   | 68         | 9.700          | 21                 | 1,5/0,37          | 3,5/1,3                      | -                            | 70/55     | 88          |

\* May depend on motor used.

\*\* Sound pressure at 3m hemispherical propagation, in free field conditions, for comparison.

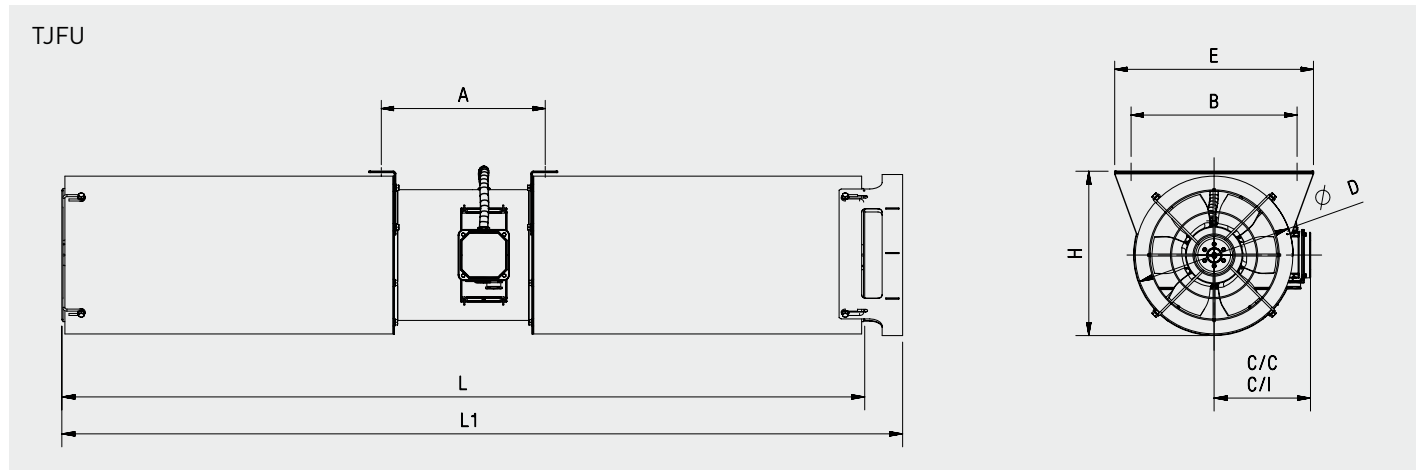
\*\*\* TJFT series Form A: air over motor > impeller, Form B air through impeller > motor (unidirection). TJFU series: Form B only.

**DIMENSIONS (mm)**



L: standard with guards, no deflector. L1: for unidirection with 1 deflector. L2: for reversible with 2 deflectors. C/C: version with terminal box (standard). C/I: version with isolator (optional).

| Model | A   | B   | C/C   | C/I   | D   | E   | H   | L    | L1   | L2   |
|-------|-----|-----|-------|-------|-----|-----|-----|------|------|------|
| 315   | 400 | 405 | 235   | 289,5 | 385 | 485 | 397 | 1959 | 2015 | 2172 |
| 355   | 400 | 445 | 260,5 | 309   | 425 | 525 | 437 | 1959 | 2015 | 2172 |
| 400   | 439 | 506 | 287   | 336   | 486 | 586 | 498 | 1999 | 2055 | 2212 |
| 450   | 539 | 556 | 313,5 | 362,5 | 536 | 636 | 548 | 2499 | 2055 | 2712 |
| 500   | 549 | 620 | 343,5 | 392,5 | 600 | 700 | 612 | 2499 | 2055 | 2712 |
| 560   | 669 | 680 | 376   | 425   | 660 | 760 | 672 | 3019 | 3072 | 3232 |
| 630   | 769 | 750 | 422   | 480   | 730 | 830 | 742 | 3119 | 3175 | 3332 |



L: standard with guards, no deflector. L1: for unidirection with 1 deflector. C/C: version with terminal box (standard). C/I: version with isolator (optional).

| Model | A   | B   | C/C | C/I | D   | E   | H   | L    | L1   |
|-------|-----|-----|-----|-----|-----|-----|-----|------|------|
| 315   | 310 | 405 | 236 | 279 | 385 | 485 | 397 | 1754 | 1810 |
| 355   | 310 | 445 | 259 | 302 | 425 | 525 | 437 | 1754 | 1810 |
| 400   | 310 | 506 | 283 | 326 | 486 | 586 | 498 | 1754 | 1810 |

## ACOUSTIC CHARACTERISTICS

Sound power levels LwA ref. 1pW tested in accordance with ISO 13347:2004.

### TJFT (2 pole)

| Form A | 63 | 125 | 250 | 500 | 1000 | 2000 | 4000 | 8000 | LwA |
|--------|----|-----|-----|-----|------|------|------|------|-----|
| 315    | 59 | 68  | 84  | 73  | 75   | 76   | 72   | 66   | 86  |
| 355    | 62 | 71  | 87  | 76  | 78   | 79   | 75   | 69   | 89  |
| 400    | 68 | 76  | 92  | 80  | 82   | 81   | 76   | 69   | 93  |
| 450    | 70 | 78  | 95  | 84  | 86   | 86   | 83   | 76   | 97  |
| 500    | 73 | 82  | 98  | 87  | 89   | 90   | 86   | 80   | 100 |
| 560    | 74 | 83  | 100 | 90  | 92   | 94   | 92   | 86   | 102 |
| 630    | 80 | 89  | 105 | 94  | 96   | 97   | 93   | 87   | 107 |

### TJFT (4 pole)

| Form A | 63 | 125 | 250 | 500 | 1000 | 2000 | 4000 | 8000 | LwA |
|--------|----|-----|-----|-----|------|------|------|------|-----|
| 315    | 44 | 53  | 69  | 58  | 60   | 61   | 57   | 51   | 71  |
| 355    | 47 | 56  | 72  | 61  | 63   | 64   | 60   | 54   | 74  |
| 400    | 53 | 61  | 77  | 65  | 67   | 66   | 61   | 54   | 78  |
| 450    | 55 | 63  | 80  | 69  | 71   | 71   | 68   | 61   | 82  |
| 500    | 58 | 67  | 83  | 72  | 74   | 75   | 71   | 65   | 85  |
| 560    | 59 | 68  | 85  | 75  | 77   | 79   | 77   | 71   | 87  |
| 630    | 65 | 74  | 90  | 79  | 81   | 82   | 78   | 72   | 92  |

| Form B | 63 | 125 | 250 | 500 | 1000 | 2000 | 4000 | 8000 | LwA |
|--------|----|-----|-----|-----|------|------|------|------|-----|
| 315    | 59 | 65  | 75  | 67  | 70   | 71   | 68   | 63   | 79  |
| 355    | 62 | 68  | 78  | 70  | 73   | 74   | 71   | 66   | 82  |
| 400    | 67 | 73  | 83  | 74  | 76   | 76   | 72   | 66   | 85  |
| 450    | 70 | 76  | 85  | 77  | 81   | 82   | 78   | 73   | 89  |
| 500    | 73 | 79  | 89  | 81  | 84   | 85   | 82   | 77   | 93  |
| 560    | 75 | 81  | 90  | 83  | 88   | 90   | 87   | 83   | 96  |
| 630    | 80 | 86  | 96  | 88  | 91   | 92   | 89   | 84   | 100 |

| Form B | 63 | 125 | 250 | 500 | 1000 | 2000 | 4000 | 8000 | LwA |
|--------|----|-----|-----|-----|------|------|------|------|-----|
| 315    | 44 | 50  | 60  | 52  | 55   | 56   | 53   | 48   | 64  |
| 355    | 47 | 53  | 63  | 55  | 58   | 59   | 56   | 51   | 67  |
| 400    | 52 | 58  | 68  | 59  | 61   | 61   | 57   | 51   | 70  |
| 450    | 55 | 61  | 70  | 62  | 66   | 67   | 63   | 58   | 74  |
| 500    | 58 | 64  | 74  | 66  | 69   | 70   | 67   | 62   | 78  |
| 560    | 60 | 66  | 75  | 68  | 73   | 75   | 72   | 68   | 81  |
| 630    | 65 | 71  | 81  | 73  | 76   | 77   | 74   | 69   | 85  |

### TJFU (2 pole)

| Form B | 63 | 125 | 250 | 500 | 1000 | 2000 | 4000 | 8000 | LwA |
|--------|----|-----|-----|-----|------|------|------|------|-----|
| 315    | 61 | 63  | 71  | 72  | 75   | 72   | 66   | 61   | 79  |
| 355    | 64 | 66  | 75  | 75  | 78   | 76   | 70   | 64   | 83  |
| 400    | 67 | 71  | 76  | 77  | 82   | 81   | 76   | 70   | 86  |

### TJFU (4 pole)

| Form B | 63 | 125 | 250 | 500 | 1000 | 2000 | 4000 | 8000 | LwA |
|--------|----|-----|-----|-----|------|------|------|------|-----|
| 315    | 40 | 56  | 54  | 58  | 56   | 50   | 45   | 38   | 63  |
| 355    | 44 | 59  | 58  | 60  | 61   | 54   | 49   | 42   | 66  |
| 400    | 46 | 63  | 62  | 69  | 62   | 60   | 55   | 46   | 72  |