

# CFMT Series



CONTINUOUS OPERATION

Range of direct drive centrifugal fans designed for hot air recycling in furnace continuous operation with air stream up to 250°C. Frameworks are manufactured from electro-welded sheet with high grade thermal and acoustic insulation rock wool panel and with a tough grey colour, epoxy-polyester paint coating.

All models incorporate forward curved centrifugal impellers manufactured from galvanised sheet steel.

Available with three phase 4 pole motors.

### Motors

All motors are IP55, class F.

Electrical supply:

Three-phase 230/400V-50Hz up to 3kW and 400V-50Hz for higher motor powers.

### Additional Information

Scroll with inlet, to fix on the inside wall of the furnace, supplied as an accessory.

Standard supplied position: LG

### On request

- Fan supplied in RD position.
- Motor with PTC thermal protection.
- High efficiency motors (EFF1)

## A P P L I C A T I O N S



Industrial ovens



Paint cabins



CONTINUOUS OPERATION

### ■ Technical characteristics

Before installation check that product electrical characteristics listed on the data plate label (Voltage, power, frequency etc) match those of the intended electrical supply.

Model	Speed (r.p.m.)	Motor power (kW)	Maximum absorbed current (A)		Weight (kg)
			230V	400V	
CFMT/4-355/145-3	1400	3	12,6	7,3	55
CFMT/4-355/145-4	1420	4	-	9,3	60
CFMT/4-355/145-5,5	1440	5,5	-	12	70
CFMT/4-355/145-7,5	1445	7,5	-	15,5	80
CFMT/4-400/165-4	1420	4	-	9,3	65
CFMT/4-400/165-5,5	1440	5,5	-	12	85
CFMT/4-400/165-7,5	1445	7,5	-	15,5	95
CFMT/4-450/185-5,5	1445	5,5	-	12	100
CFMT/4-450/185-7,5	1445	7,5	-	15,5	110
CFMT/4-500/205-7,5	1445	7,5	-	15,5	115
CFMT/4-500/205-9,2	1450	9,2	-	21,5	125
CFMT/4-500/205-11	1450	11	-	22,5	135
CFMT/4-500/205-15	1460	15	-	31	150

## Acoustic characteristics

The sound levels shown in these tables are sound power levels in dB(A) for frequency range.

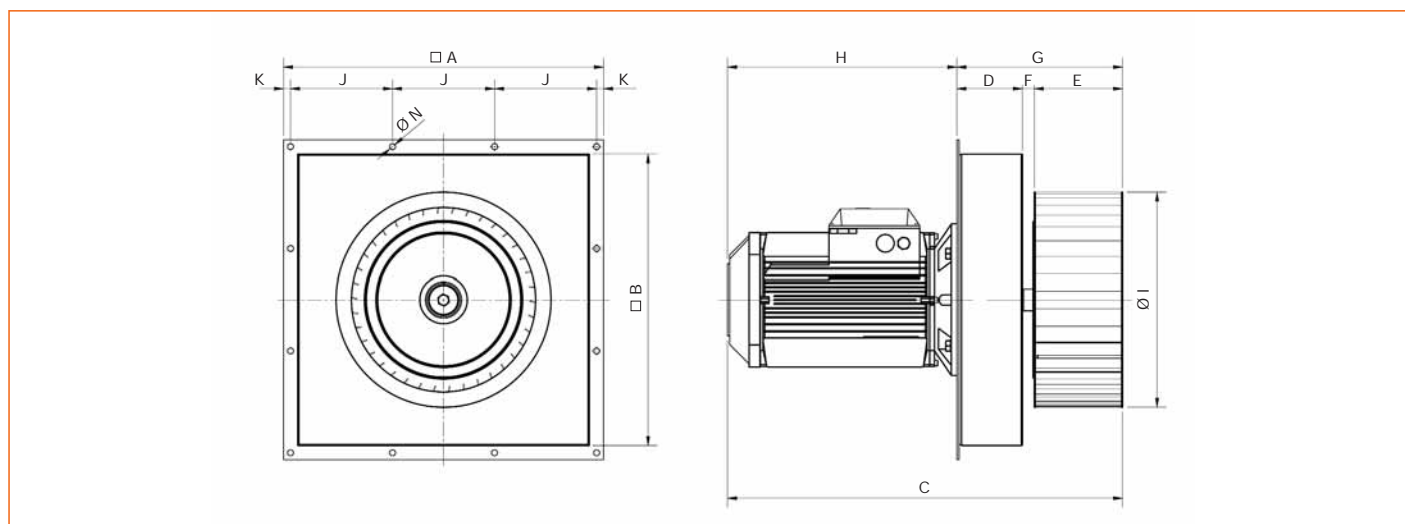
Model	63	125	250	500	1000	2000	4000	8000	TOTAL
CFMT/4-355/145 - 3	59	72	78	79	84	85	81	78	90
CFMT/4-355/145 - 4	62	75	81	82	87	88	84	81	93
CFMT/4-355/145 - 5,5	65	78	84	85	90	91	87	84	96
CFMT/4-355/145 - 7,5	66	79	85	86	91	92	88	85	97

Model	63	125	250	500	1000	2000	4000	8000	TOTAL
CFMT/4-400/165 - 4	61	74	80	81	86	87	83	80	92
CFMT/4-400/165 - 5,5	64	77	83	84	89	90	86	83	95
CFMT/4-400/165 - 7,5	67	80	86	87	92	93	89	86	98

Model	63	125	250	500	1000	2000	4000	8000	TOTAL
CFMT/4-450/185 - 5,5	67	80	86	87	92	93	89	86	98
CFMT/4-450/185 - 7,5	70	83	89	90	95	96	92	89	101

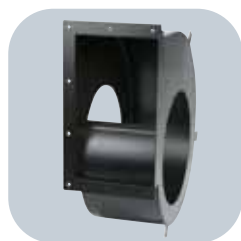
Model	63	125	250	500	1000	2000	4000	8000	TOTAL
CFMT/4-500/205 - 7,5	67	80	86	87	92	93	89	86	98
CFMT/4-500/205 - 9	69	82	88	89	94	95	91	88	100
CFMT/4-500/205 - 11	71	84	90	91	96	97	93	90	102
CFMT/4-500/205 - 15	73	86	92	93	98	99	95	92	104

## Dimensions (mm)



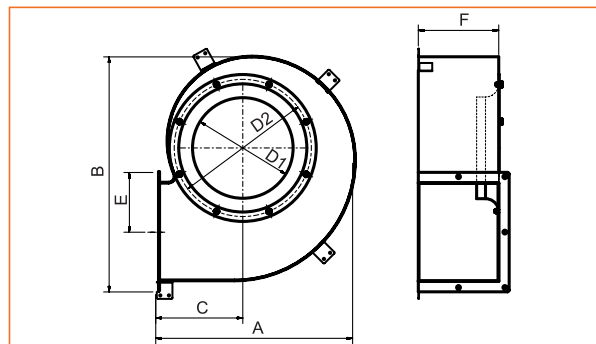
Model	A	B	C max	D	E	F	G	H max	I	J	K	N
CFMT-355/145	605	494	685	151,5	143	25	320	365	355	188	20,5	14
CFMT-400/165	630	564	705	151,5	163	25	340	365	404	200	15	14
CFMT-400/185	740	674	725	151,5	183	25	360	365	454	236	16	14
CFMT-500/205	740	674	910	151,5	204	25	380	530	497	236	16	14

## Accessories



### CFMT SCROLL

Scroll with inlet, to fix on the inside wall of the furnace. It allows to guide the airflow and to connect a duct at the fan discharge. LG and RD versions available.

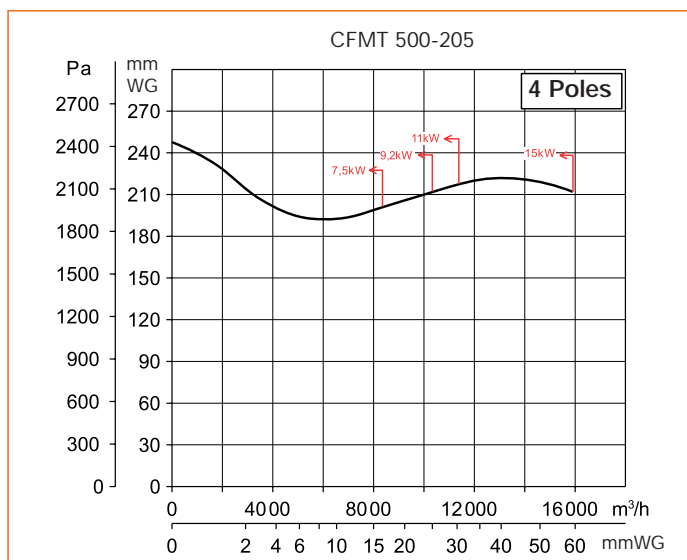
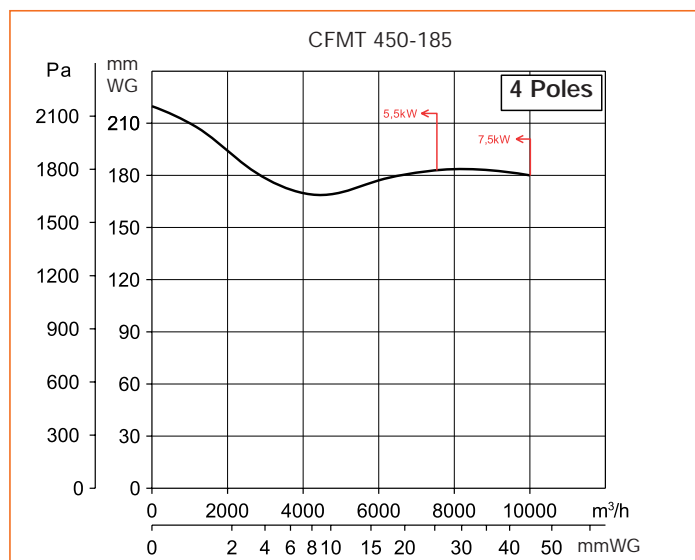
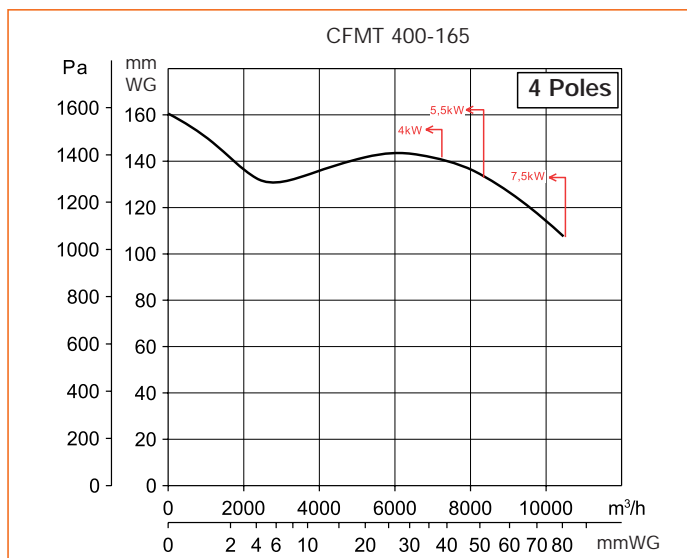
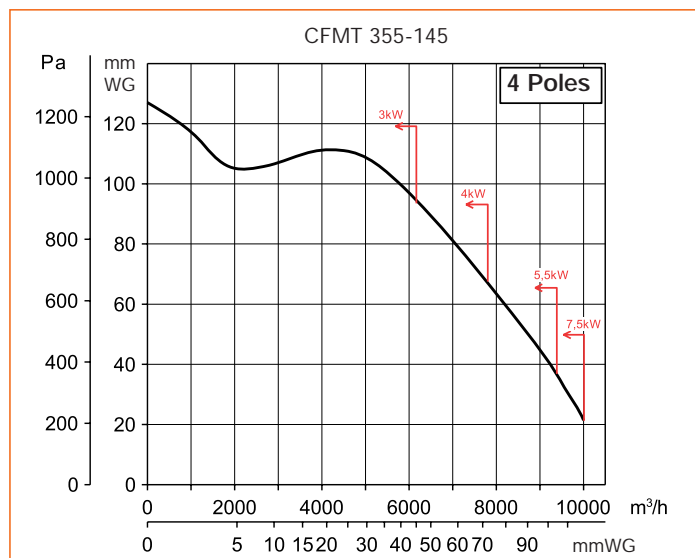


Model	A	B	C	E	D1	D2	F
355/145	566	675	250	172	289	394	231
400/165	628	770	270	202	325	438	254
450/185	704	860	302	222	365	485	288
500/205	795	960	345	272	410	535	319



## ■ Performance curves

- Fan ducted on both inlet and outlet sides.
- Air volume in,  $m^3/h$ .
- Static pressure in mmWG and Pa.
- Dynamic pressure in mmWG.



CFMT

Centrifugal fans in furnace applications

