

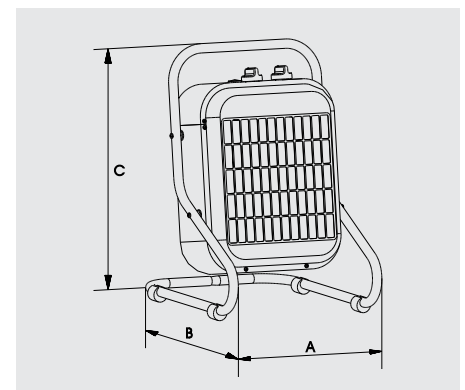


To provide fan assisted heating to commercial or industrial environments, or for drying applications.

Characteristics

- IP24.
- Made of steel sheet with a paint coating.
- Fitted with a handle to move it.
- Quiet axial fan.
- Switch enabling an adjustment of the extraction or heating of the units (only fan function; fan and low heating and fan and high heating operation).
- Thermostat allowing the setting of the desired temperature of the room.
- Rear switch that allows the thermostat to act on both the fan and the heater element or only on the heater (the fan operates permanently).
- Contactor.
- Thermal protection.
- Manual self resetting button (RESET).

DIMENSIONS (mm)

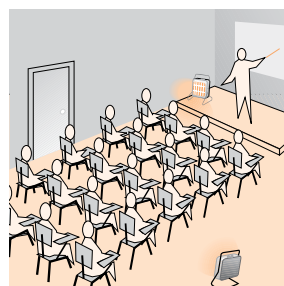


Model	A	B	C
EP-3N	333	395	490
EP-5N	333	395	490
EP-9N	408	495	595
EP-12N	408	586	600
EP-15N	408	586	600

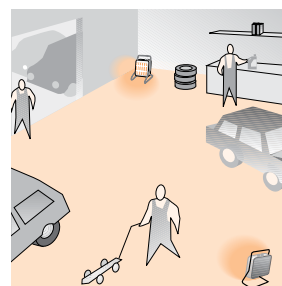
Applications



Drying applications in building works



Conference halls



Workshops

TECHNICAL CHARACTERISTICS

Model	Voltage 50 Hz (V)	Total power (W)	Heating power (W)	Maximum current (A)	Speed (rpm)	Maximum airflow (m³/h)	Sound pressure level* dB(A)	Temperature rise (°C)	Protected against splashing water	Air speed in discharge (m/s)	Weight (kg)	Colour
EP-3 N	230	3033	1500/3000	13	1300	350	43	26	IP24	2	7.5	Red
EP-5 N	3N AC 400	5033	2500/5000	7.2	1300	450	43	33	IP24	2,3	7.5	Red
EP-9 N	3N AC 400	9050	4500/9000	13	1300	800	49	33	IP24	2,4	10	Red
EP-12 N	3N AC 400	12040	6000/12000	17.3	1370	1.100	50	32	IP24	3,3	12	Red
EP-15 N	3N AC 400	15040	7500/15000	21.7	1370	1.100	50	40	IP24	3,3	12	Red

* Sound pressure level at 1,5 meters, heater on the floor.