

Designed for wall application in commercial or industrial environments.

Characteristics

Can be fitted up to a height of 5 metres.

High performance tangential impeller giving a low noise level.

Can be installed in series.

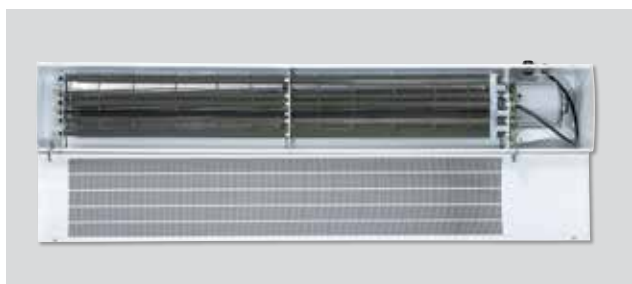
Available in ambient or ambient and hot air versions.

UP TO
5m

INSTALLATION
HEIGHT

Applications

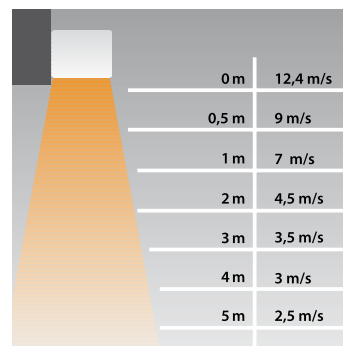
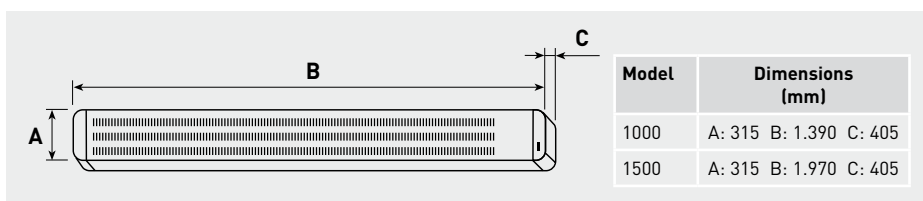
See page BASIC CONCEPTS AIR CURTAINS.



Ease of installation

Fitted with a removable cover up to 180° by means of a set of hinges to ease the wiring.

DIMENSIONS (mm)



Air distance/speed

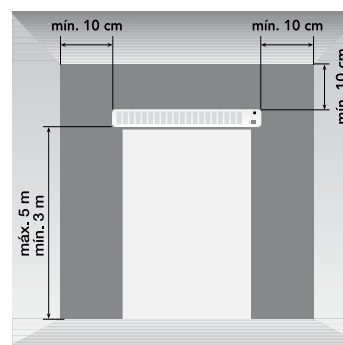
ACCESSORIES



CR-20 and CR-30

Each remote unit can control up to 5 units of the same model in series. The combinations of the following models can be controlled with a single remote control: COR-IND M-1000 F with COR-IND M-1500 F. LxWxH (mm): 80x57x120

Power selector and speed remote	Air curtain model
CR-20	COR-IND M 1000 F
	COR-IND M 1500 F
CR-30	COR-IND M 1000/12
	COR-IND M 1500/18



Installation height

TECHNICAL CHARACTERISTICS

Model	Voltage (50 Hz) (V)	Heat power (kW)	Motor power (W)	Speeds	Airflow (m ³ /h)		Output speed* at 0,05 m (m/s)	Maximum ΔT (°C)				Sound pressure level** (dB(A))	Abs. current (A)	Ambient thermostat connection	Thermal fuse	Ambient / Hot air	Weight (kg)	Colour
					High	Low		Max. Power		Min. Power								
								High speed	Low speed	High speed	Low speed							
COR-IND M 1000 F	230		267	2	3.400	3.000	12,84					55	1,2			A	40	White RAL 9003
COR-IND M 1500 F	230		381	2	4.800	4.100	14,1					59	1,76			A	50	White RAL 9003
COR-IND M 1000/12	3N 400	6 / 12	245	2	3.200	2.500	12,13	17,7	22,8	8,34	10,57	55	17,3	•	•	A/H	45	White RAL 9003
COR-IND M 1500/18	3N 400	9 / 18	348	2	5.000	4.400	18,5	12,38	23,34	9,64	11,23	59	26	•	•	A/H	45	White RAL 9003

* Maximum airflow.

** Measured at 5 meters, in free field.